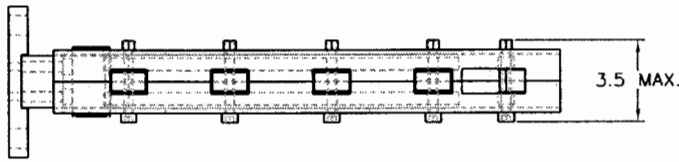
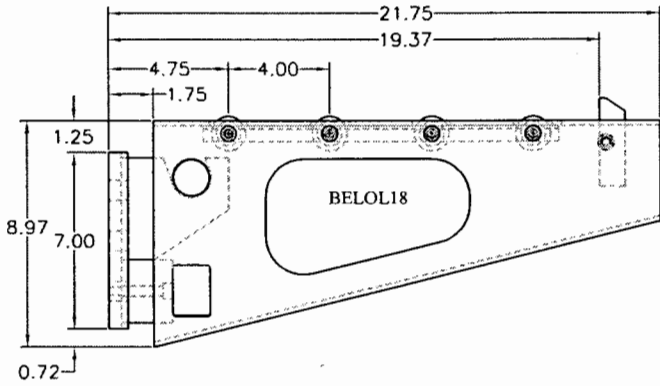


Medium duty lift off bolster extensions

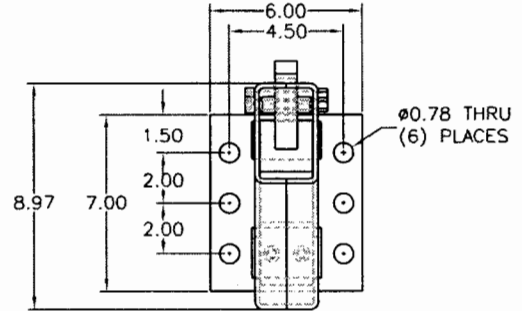
Roller capacity: 2000 Lbs. each
Rail capacity: 2500 Lbs. each
Standard lengths: 18, 24, 30 & 36 inch



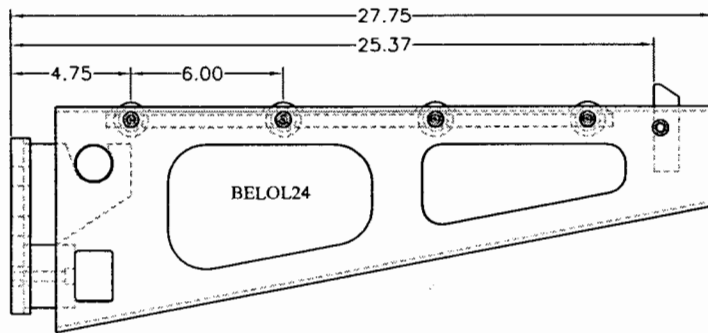
Plan view



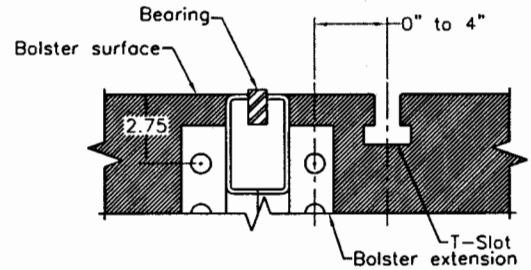
Elevation view



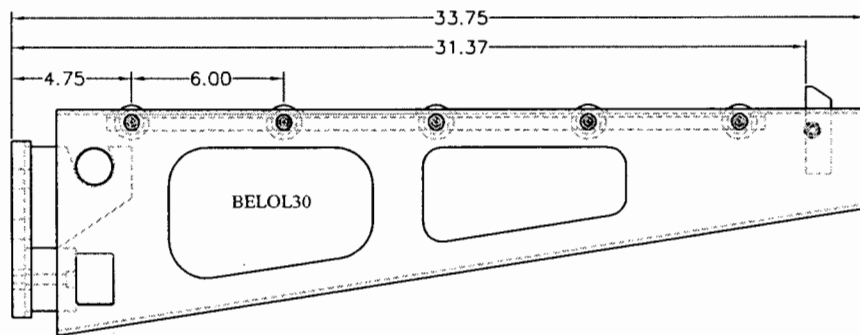
End view



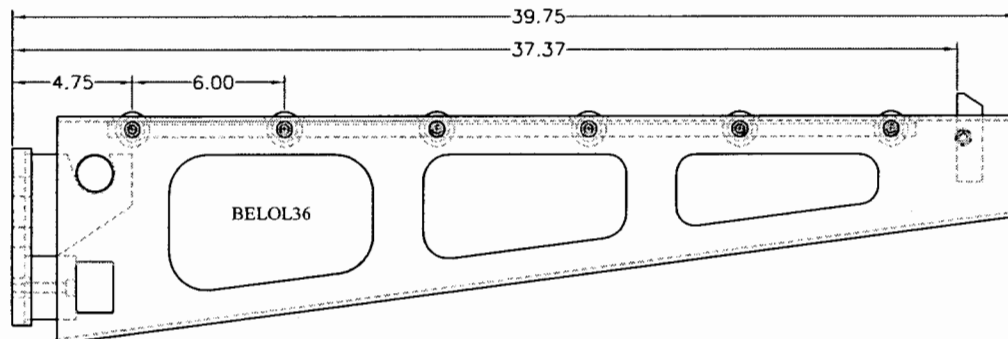
BELOL24



Mounting detail



BELOL30



BELOL36



1897

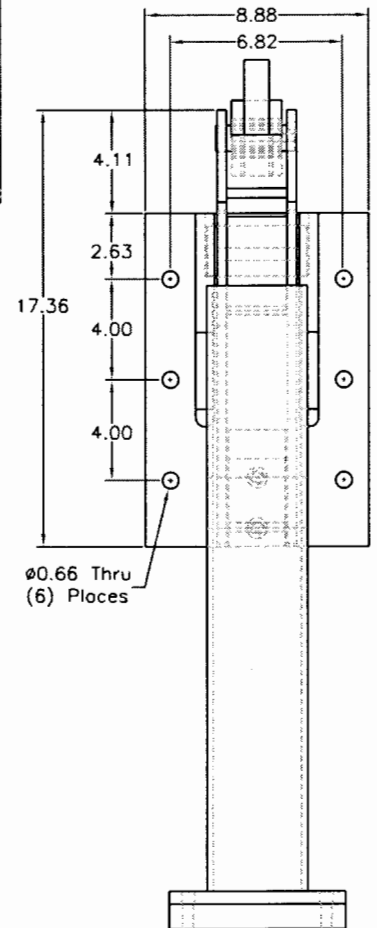
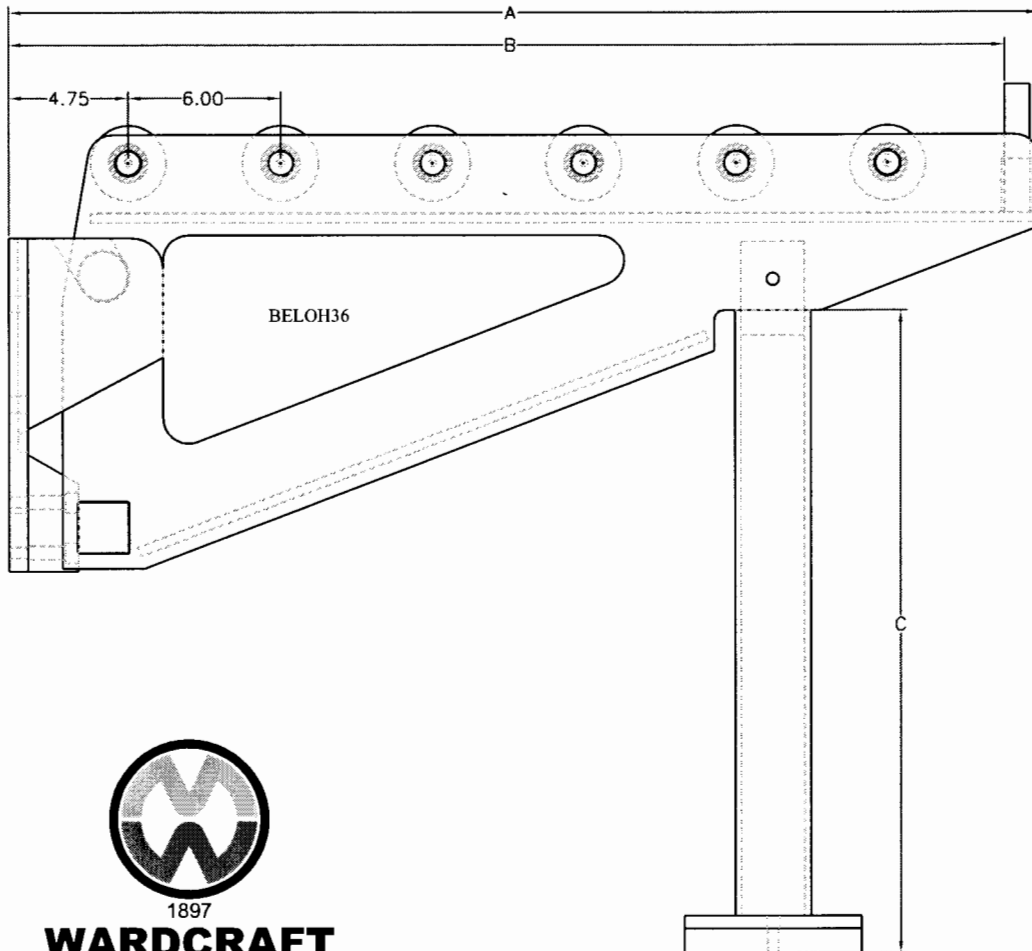
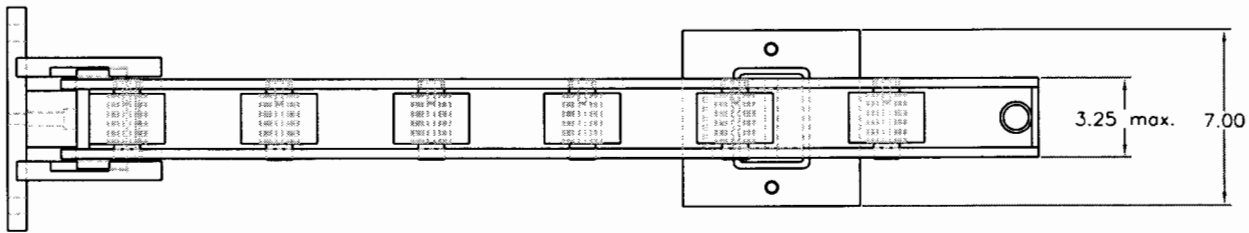
WARDCRAFT

Div. of McLaughlin Ward & Co.
ONE WARDCRAFT DRIVE
SPRING ARBOR, MI 49283
PHONE (800)782-2779 FAX (517)750-2244
www.wardcraftconveyor.com

Heavy duty lift off bolster extensions

Standard lengths: 36 & 48 inch
 With or without leg support

	Dimensional data			Capacity each	
	A	B	C	Without leg support	With leg support
36"	40.75"	39.37"	N/A	7,500 Lbs.	25,000 Lbs.
48"	52.75"	51.37"	N/A	7,500 Lbs.	25,000 Lbs.



1897

WARDCRAFT

Div. of McLaughlin Ward & Co.

ONE WARDCRAFT DRIVE

SPRING ARBOR, MI 49283

PHONE (800)782-2779 FAX (517)750-2244

www.wardcraftconveyor.com